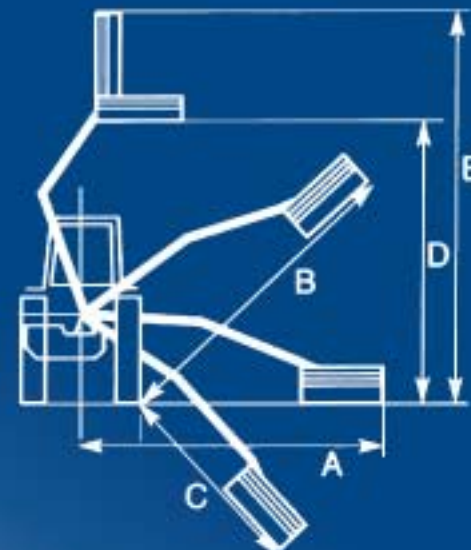


MicroKlippa

Features

- ✓ 3.2m or 3.5m reach
- ✓ Left or right hand cutting
- ✓ Cable or Electronic Proportional Controlled (EPC)
- ✓ Front mount option
- ✓ 16-22 litres per minute



The MicroKlippa is very popular with estate managers and horticulturalists who admire the MicroKlippa's fine cutting capabilities and the versatility of right or left hand cutting.

MicroKlippa

A	3.1m	10' 2"
B	3.2m	10' 6"
C	2.0m	6' 6"
D	3.5m	11' 6"
E	3.4m	11' 2"
Y	1m	3' 4"

Working reach dimensions

Head used for calcs: Sheartrim

Available for export markets only

MicroKlippa**Tractor requirements**

Minimum horse power	25hp
Minimum weight	550Kg

Base unit mounting options

Front mount	o
Mid-mount	x
Rear mount	•
Three point linkage	•
Axle bracket	•

Overall machine parameters

Machine weight with cutter bar (exc. Oil)	180kg
Capacity of oil tank	•

Controls

Cable control (CC)	•
Electronic proportional control (EPC)	o
Intelligent control system (ICS)	x
Low pressure hydraulics (LPH)	x
Cable rotor reverse	x
Electronic rotor reverse	x

Arm features and main frame

Telescopic arm	x
Telescopic arm stroke	x
Power slow	x
Power slow angle	x
Gravity breakout	•
Hydraulic breakout	x
Armfloat - manual	x
Armfloat - electronic	x
Headfloat - manual	x
Headfloat - electronic	x
Left hand cutting	•
Right hand cutting	•

Cutting heads

Rotary Head	x
Blade Runner (blade saw head)	x
Sheartrim Cutterbar	•
Ditch cleaner	x

• = Standard

o = Optional

x = Not available

