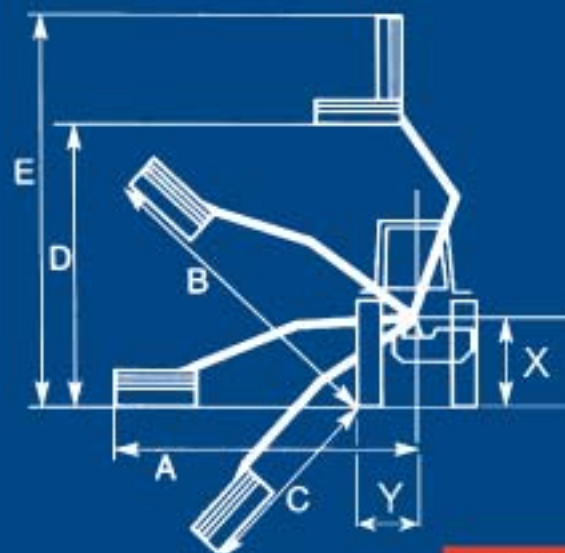


# Kite Golfmaster

## Features

- ✓ 4.5m or 5m reach options
- ✓ Three point linkage mounting
- ✓ Twin pump independent hydraulics
- ✓ Cable or LPH controls
- ✓ Choice of heads

The Kite is designed for ground care specialists and is robust enough for a farm environment.



	Kite 4.5 (14'9")	Kite 5 (16'5")
A	4.5m 14' 9"	5m 16' 5"
B	4.34m 14' 4"	4.5m 14' 9"
C	3.0m 9' 10"	3.6m 11' 10"
D	4.4m 14' 5"	4.8m 15' 7"
E	5.2m 17' 0"	6.0m 19' 8"
X	0.89m 3' 3"	1.0m 3' 3"
Y	1.34m 4' 5"	1m 3' 4"

**Working reach dimensions**  
Head used for calcs: 1107mm

	Kite 4.5 (14' 9")	Kite 5 (16' 5")
<b>Tractor requirements</b>		
Minimum horse power	45hp	45hp
Minimum weight	2000kg	2500kg
<b>Base unit mounting options</b>		
Front mount	✗	✗
Mid-mount	✗	✗
Rear mount	•	•
Three point linkage (CAT II)	•	•
Axle bracket	✗	✗

<b>Overall machine parameters</b>		
Weight of machine without oil or head	536Kg	550Kg
Capacity of oil tank	130Litres	130Litres
Weight of machine with oil but without head	640Kg	654Kg

<b>Hydraulic controls</b>		
Cable control (CC)	•	•
Electronic proportional control (EPP)	✗	✗
Intelligent control system (ICS)	✗	✗
Low pressure hydraulics (LPH)	•	•
Cable rotor reverse	•	•
Electronic rotor reverse	✗	✗

• = Standard  
◦ = Optional  
✗ = Not available



**Rotor reverse valve**



	Kite 4.5 (14' 9")	Kite 5 (16' 5")
<b>Hydraulic system</b>		
System capability	33hp	33hp
Pump flow rate	70Litres	70Litres
Pump type (Gear / Piston / Helical)	G	G
Pump arrangement (Twin / In-line)	X	X
Independent hydraulics	•	•
Oil cooler	o	o

<b>Arm features and main frame</b>		
Forward arm	X	X
Forward arm reach (Fixed / Variable)	X	X
Telescopic arm	X	X
Telescopic arm stroke	X	X
Power slew	X	X
Power slew angle	X	X
Gravity breakout	•	•
Hydraulic breakout	X	X
Armfloat - manual	o	o
Armfloat - electronic	o	o
Headfloat - manual	•	•
Headfloat - electronic	o	o
Left hand cutting	o	o
Right hand cutting	o	o
Left & right hand cutting	X	X

<b>Arm attachments available</b>		
Variable track bracket (VTB)	X	X
Cutterbar	o	o
Bladed saw head (Blade Runner)	X	X
Ditch cleaner	X	X
Rotary head	X	X

<b>Accessories</b>		
Road lights	o	o
Debris blower	X	X
Warning arrow (Magnetic / Fixed)	o	o
Cab guard kit	•	•

<b>Cutting heads</b>		
900mm with 102 roller	•	•
1257mm LW with 150 roller	o	o
1107mm MW 115 roller	o	o
1.5m Cutterbar	o	o
Rotary Head	X	X
Bladed saw head (Blade Runner)	X	X
Sheartrim Cutterbar	o	o

	MP44	T60	T40	Pro Flails	BB
Flails	•	X	X	X	o
Flails	•	X	X	X	o
Flails	X	X	X	X	•

