

Falcon

Features

- ✓ 5.5m, 6.0m or 6.5m reach
- ✓ Quick-hitch bar coupler
- ✓ 125 l/min independent system
- ✓ 1.2m or 1.5m cutting head



Quick hitch



ICS



VTB



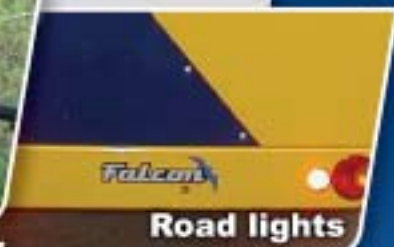
EPP III



Pro-Cut



Cable control



Road lights

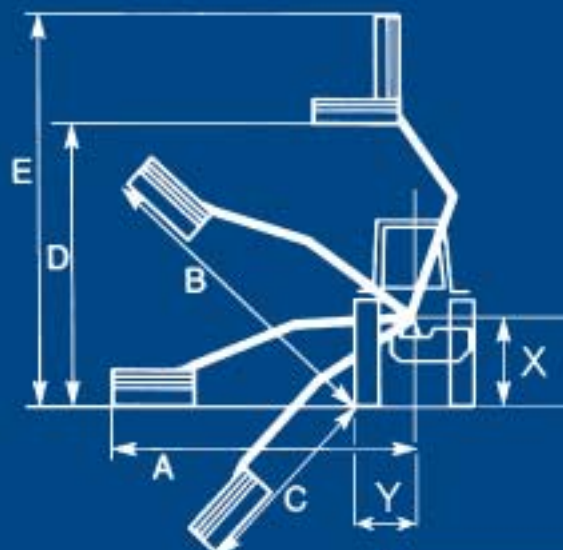


Cushion top link



Axle mounting

The Falcon range has been specifically designed for the contractor.



| | Falcon 5.5 (18') | Falcon 6.0T (19' 8") | Falcon 6.5T (21' 4") |
|---|------------------|----------------------|----------------------|
| A | 5.5m 18' | 6.0m 19' 8" | 6.5m 21' 4" |
| B | 5.6m 18' 4" | 6.10m 20' 1" | 6.65m 22' |
| C | 3.9m 12' 9" | 4.4m 14' 5" | 4.85m 16' |
| D | 5.15m 16' 8" | 5.65m 18' 4" | 5.8m 19' |
| E | 6.8m 22' 4" | 7.3m 23' 11" | 7.72m 25' 5" |
| X | 1.35m 4' 7" | 1.35m 4' 7" | 1.35m 4' 7" |
| Y | 1m 3' 4" | 1m 3' 4" | 1m 3' 4" |

Working reach dimensions
Head used for calcs: 1.2m Pro-Cut

Tractor requirements

| | | | |
|---------------------|--------|--------|--------|
| Minimum horse power | 70hp | 75hp | 75hp |
| Minimum weight | 3500Kg | 3600Kg | 4250Kg |

Base unit mounting Options

| | | | |
|------------------------------|---|---|---|
| Front mount | ✗ | ✗ | ✗ |
| Mid-mount | ✗ | ✗ | ✗ |
| Rear mount | • | • | • |
| Three point linkage (CAT II) | o | o | o |
| Axle bracket | o | o | o |

Overall machine parameters

| | | | |
|---|-----------|-----------|-----------|
| Weight of machine without oil or head | 1515Kg | 1620Kg | 1720Kg |
| Capacity of oil tank | 250Litres | 250Litres | 250Litres |
| Weight of machine with oil but without head | 1715Kg | 1820Kg | 1920Kg |

Hydraulic controls

| | | | |
|---------------------------------------|---|---|---|
| Cable control (CC) | o | o | o |
| Electronic proportional control (EPP) | o | o | o |
| Intelligent control system (ICS) | o | o | o |
| Low pressure hydraulics (LPH) | ✗ | ✗ | ✗ |
| Cable rotor reverse | o | o | o |
| Electronic rotor reverse | o | o | o |

• = Standard
o = Optional
✗ = Not available

| | Falcon 5.5 (18') | Falcon 6.0T (19' 8") | Falcon 6.5T (21' 4") |
|--------------------------------------|------------------------|----------------------------|----------------------------|
| Hydraulic system | | | |
| System capability | 65/110hp | 65/128hp | 65/131hp |
| Pump flow rate | 125Litres | 125Litres | 125Litres |
| Pump type (Gear / Piston / Helical) | G/P | G/P | G/P |
| Pump arrangement (Twin / In-line) | T | T | T |
| Independent hydraulics | • | • | • |
| Oil cooler | • | • | • |
| Arm features and main frame | | | |
| Forward arm | ✗ | ✗ | ✗ |
| Forward arm reach (Fixed / Variable) | ✗ | ✗ | ✗ |
| Telescopic arm | ✗ | • | • |
| Telescopic arm stroke | ✗ | 900mm | 900mm |
| Power slow | • | • | • |
| Power slow angle | 94° | 94° | 94° |
| Gravity breakout | ✗ | ✗ | ✗ |
| Hydraulic breakout | • | • | • |
| Armfloat - manual | • | • | • |
| Armfloat - electronic | • | • | • |
| Headfloat - manual | • | • | • |
| Headfloat - electronic | • | • | • |
| Left hand cutting | • | • | • |
| Right hand cutting | • | • | • |
| Left & right hand cutting | ✗ | ✗ | ✗ |
| Arm attachments available | | | |
| Variable track bracket (VTB) | • | • | • |
| Cutter bar | • | • | • |
| Bladed saw head (Blade Runner) | • | • | • |
| Ditch cleaner | • | • | • |
| Rotary head | • | • | • |
| Accessories | | | |
| Road lights | • | • | • |
| Debris blower | • | • | • |
| Warning arrow (Magnetic / Fixed) | • | • | • |
| Cab guard kit | • | • | • |
| Cutting Heads permitted | | | |
| 1.2m Pro-Cut 115mm roller | • | • | • |
| 1.2m Pro-Cut with 150mm roller | • | • | • |
| 1.2m head ISMP with 115mm roller | • | • | • |
| 1.2m head ISMP 150mm roller | • | • | • |
| 1.5m Pro-Cut with 115mm roller | • | • | • |
| 1.5m Pro-Cut with 150mm roller | • | • | • |
| 1.5m Pro-Cut ISMP with 115mm roller | • | • | • |
| 1.5m Pro-Cut ISMP 150mm roller | • | • | • |

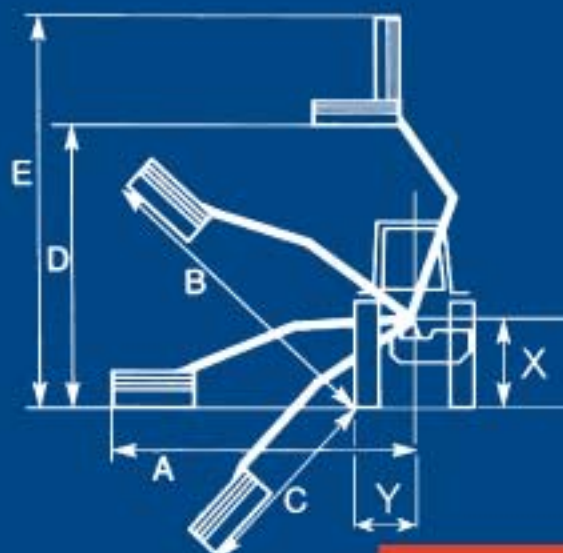
| | MP44 | HS40 | T60 | T40 | Pro Falls | BB | Bushmaster |
|--------|------|------|-----|-----|-----------|----|------------|
| Flails | • | • | • | • | • | • | ✗ |
| Flails | • | • | • | • | • | • | ✗ |
| Flails | • | • | • | • | • | • | • |
| Flails | • | • | • | • | • | • | • |
| Flails | • | • | • | • | • | • | ✗ |
| Flails | • | • | • | • | • | • | ✗ |
| Flails | • | • | • | • | • | • | ✗ |
| Flails | • | • | • | • | • | • | ✗ |



Falcon Parallel

Features

- ✓ 5.5m, 6m or 6.5m reach
- ✓ Parallel arm
- ✓ Independent hydraulics
- ✓ Fully proportional electronic controls



| | Falcon 5.5 (18') | Falcon 6.0 (19' 8") | Falcon 6.5T (21' 4") |
|---|------------------|---------------------|----------------------|
| A | 5.5m 18' | 6.0m 19' 8" | 6.5m 21' 4" |
| B | 5.67m 18' 8" | 6.13m 20' 3" | 6.65m 21' 9" |
| C | 3.65m 12' 9" | 4.35m 14' 2" | 4.38m 14' 4" |
| D | 4.5m 14' 9" | 4.55m 14' 10" | 5.55m 18' 3" |
| E | 6.16m 20' 2" | 6.25m 20' 4" | 7.55m 24' 9" |
| X | 1.45m 4' 9" | 1.45m 4' 9" | 1.45m 4' 9" |
| Y | 1m 3' 4" | 1m 3' 4" | 1m 3' 4" |

Working reach dimensions
Head used for calcs: 1.2m Pro-Cut

| | Falcon 5.5 (18') | Falcon 6.0 (19' 8") | Falcon 6.5T (21' 4") |
|-----------------------------------|------------------|---------------------|----------------------|
| Tractor requirements | | | |
| Minimum horse power | 70hp | 75hp | 75hp |
| Minimum weight | 3500Kg | 3800Kg | 4250Kg |
| Base unit mounting options | | | |
| Front mount | ✗ | ✗ | ✗ |
| Mid-mount | ✗ | ✗ | ✗ |
| Rear mount | • | • | • |
| Three point linkage (CAT II) | o | o | o |
| Axle bracket | o | o | o |

| | Falcon 5.5 (18') | Falcon 6.0 (19' 8") | Falcon 6.5T (21' 4") |
|---|------------------|---------------------|----------------------|
| Overall machine parameters | | | |
| Weight of machine without oil or head | 1030Kg | 1200Kg | 1350Kg |
| Capacity of oil tank | 250Litres | 250Litres | 250Litres |
| Weight of machine with oil but without head | 1230Kg | 1400Kg | 1550Kg |

| | Falcon 5.5 (18') | Falcon 6.0 (19' 8") | Falcon 6.5T (21' 4") |
|---------------------------------------|------------------|---------------------|----------------------|
| Hydraulic controls | | | |
| Cable control (CC) | o | o | o |
| Electronic proportional control (EPP) | o | o | o |
| Intelligent control system (ICS) | o | o | o |
| Low pressure hydraulics (LPH) | ✗ | ✗ | ✗ |
| Cable rotor reverse | o | o | o |
| Electronic rotor reverse | o | o | o |

• = Standard
o = Optional
✗ = Not available

| | Falcon 5.5 (18') | Falcon 6.0 (19' 8") | Falcon 6.5T (21' 4") | | | | | | | | | |
|-------------------------------------|------------------------|---------------------------|----------------------------|--------|---|---|---|---|---|---|---|---|
| Hydraulic system | | | | | | | | | | | | |
| System capability | 65/110hp | 65/125hp | 65/131hp | | | | | | | | | |
| Pump flow rate | 125Litres | 125Litres | 125Litres | | | | | | | | | |
| Pump type (Gear / Piston / Helical) | G/P | G/P | G/P | | | | | | | | | |
| Pump arrangement (Twin / In-line) | T | T | T | | | | | | | | | |
| Independent hydraulics | • | • | • | | | | | | | | | |
| Oil cooler | o | o | o | | | | | | | | | |
| Arm features and main frame | | | | | | | | | | | | |
| Forward arm | • | • | ✗ | | | | | | | | | |
| Telescopic arm | ✗ | • | • | | | | | | | | | |
| Telescopic arm stroke | ✗ | 900mm | 900mm | | | | | | | | | |
| Power slow | • | • | • | | | | | | | | | |
| Power slow angle | 90° | 90° | 94° | | | | | | | | | |
| Gravity breakout | ✗ | ✗ | ✗ | | | | | | | | | |
| Hydraulic breakout | • | • | ✗ | | | | | | | | | |
| Armfloat - manual | o | o | o | | | | | | | | | |
| Armfloat - electronic | o | o | • | | | | | | | | | |
| Headfloat - manual | • | • | o | | | | | | | | | |
| Headfloat - electronic | o | o | • | | | | | | | | | |
| Left hand cutting | o | o | o | | | | | | | | | |
| Right hand cutting | o | o | o | | | | | | | | | |
| Left & right hand cutting | ✗ | ✗ | ✗ | | | | | | | | | |
| Arm attachments available | | | | | | | | | | | | |
| Variable track bracket (VTB) | o | o | o | | | | | | | | | |
| Cutter bar | o | o | o | | | | | | | | | |
| Bladed saw head (Blade Runner) | o | o | o | | | | | | | | | |
| Ditch cleaner | o | o | o | | | | | | | | | |
| Rotary head | o | o | o | | | | | | | | | |
| Accessories | | | | | | | | | | | | |
| Road lights | • | • | • | | | | | | | | | |
| Debris blower | o | o | o | | | | | | | | | |
| Warning arrow (Magnetic / Fixed) | o | o | o | | | | | | | | | |
| Cab guard kit | • | • | • | | | | | | | | | |
| Cutting heads permitted | | | | | | | | | | | | |
| 1.2m Pro-Cut 115mm roller | o | o | o | Flails | o | o | o | o | o | o | o | ✗ |
| 1.2m Pro-Cut with 150mm roller | o | o | o | Flails | o | o | o | o | o | o | o | ✗ |
| 1.2m head ISMP with 115mm roller | o | o | o | Flails | o | o | o | o | o | o | o | • |
| 1.2m head ISMP 150mm roller | o | o | o | Flails | o | o | o | o | o | o | o | • |
| 1.5m Pro-Cut with 115mm roller | o | o | o | Flails | o | o | o | o | o | o | o | ✗ |
| 1.5m Pro-Cut with 150mm roller | o | o | o | Flails | o | o | o | o | o | o | o | ✗ |
| 1.5m head ISMP 115mm roller | o | o | o | Flails | o | o | o | o | o | o | o | ✗ |
| 1.5m head ISMP 150mm roller | o | o | o | Flails | o | o | o | o | o | o | o | ✗ |



Falcon Forward

Features

- ✓ 5.5m or 6.5 Telescopic reach
- ✓ Forward arm
- ✓ Quick hitch bar coupler, or axle bracket mounted
- ✓ 125 l/min independent system
- ✓ 1.2m or 1.5m cutting head



ICS



Road lights



EPP III



Head position



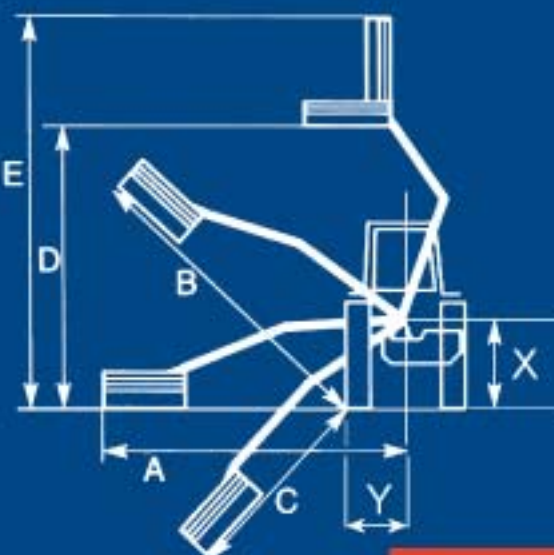
Cable control



Forward arm



Axle bracket



| | Falcon 5.5 FWD (18') | Falcon 6.5 FWD (21') |
|---|----------------------|----------------------|
| A | 5.5m 18' | 6.5m 21' |
| B | 5.6m 20' 3" | 6.7m 21' 9" |
| C | 3.31m 14' 2" | 4.9m 16' |
| D | 5m 14' 10" | 5.82m 18' |
| E | 6.8m 20' 4" | 7.8m 25' 6" |
| X | 1.45m 4' 8" | 1.45m 4' 8" |
| Y | 1m 3' 4" | 1m 3' 4" |

Working reach dimensions
Head used for calcs: 1.2m Pro-Cut

| | Falcon 5.5 FWD (18') | Falcon 6.5 FWD (21') |
|---|----------------------|----------------------|
| Tractor requirements | | |
| Minimum horse power | 70hp | 80hp |
| Minimum weight | 4250Kg | 4270Kg |
| Base unit mounting options | | |
| Front mount | ✗ | ✗ |
| Mid-mount | ✗ | ✗ |
| Rear mount | • | • |
| Three point linkage (CAT II) | • | ✗ |
| Axle bracket | • | • |
| Overall machine parameters | | |
| Weight of machine without oil or head | 1250Kg | 1550Kg |
| Capacity of oil tank | 250Litres | 250Litres |
| Weight of machine with oil but without head | 1450Kg | 1750Kg |
| Hydraulic controls | | |
| Cable control (CC) | • | • |
| Electronic proportional control (EPP) | • | • |
| Intelligent control system (ICS) | • | • |
| Low pressure hydraulics (LPH) | ✗ | ✗ |
| Cable rotor reverse | • | • |
| Electronic rotor reverse | • | • |

• = Standard
• = Optional
✗ = Not available

| | Falcon 5.5 FWD (18') | Falcon 6.5 FWD (21') |
|-------------------------------------|----------------------------|----------------------------|
| Hydraulic system | | |
| System capability | 65/91hp | 65/91hp |
| Pump flow rate | 125Litres | 125Litres |
| Pump type (Gear / Piston / Helical) | GP | GP |
| Pump arrangement (Twin / In-line) | T | T |
| Independent hydraulics | • | • |
| Oil cooler | o | o |
| Arm features and main frame | | |
| Forward arm | • | • |
| Forward arm reach | 1500mm | 1200mm |
| Telescopic arm stroke | ✗ | 900mm |
| Power slow | • | • |
| Power slow angle | 94° | 94° |
| Gravity breakout | ✗ | ✗ |
| Hydraulic breakout | • | • |
| Armfloat - manual | o | o |
| Armfloat - electronic | o | o |
| Headfloat - manual | • | • |
| Headfloat - electronic | o | o |
| Left hand cutting | o | o |
| Right hand cutting | o | o |
| Left & right hand cutting | ✗ | ✗ |
| Arm attachments available | | |
| Variable track bracket (VTB) | ✗ | ✗ |
| Cutter bar | o | o |
| Bladed saw head (Blade Runner) | o | o |
| Ditch cleaner | o | o |
| Rotary head | o | o |
| Accessories | | |
| Road lights | o | o |
| Debris blower | o | o |
| Warning arrow (Magnetic / Fixed) | o | o |
| Cab guard kit | • | • |
| Cutting heads permitted | | |
| 1.2m Pro-Cut 115mm roller | o | o |
| 1.2m Pro-Cut with 150mm roller | o | o |
| 1.2m head ISMP with 115mm roller | o | o |
| 1.2m head ISMP 150mm roller | o | o |
| 1.5m Pro-Cut with 115mm roller | o | o |
| 1.5m Pro-Cut with 150mm roller | o | o |
| 1.5m head ISMP 115mm roller | o | o |
| 1.5m head ISMP 150mm roller | o | o |

| | MP44 | HS40 | T60 | T40 | Pro Flails | BB | Bushmaster |
|--------|------|------|-----|-----|------------|----|------------|
| Flails | o | o | o | o | o | o | ✗ |
| Flails | o | o | o | o | o | o | ✗ |
| Flails | o | o | o | o | o | o | • |
| Flails | o | o | o | o | o | o | • |
| Flails | o | o | o | o | o | o | ✗ |
| Flails | o | o | o | o | o | o | ✗ |
| Flails | o | o | o | o | o | o | ✗ |
| Flails | o | o | o | o | o | o | ✗ |

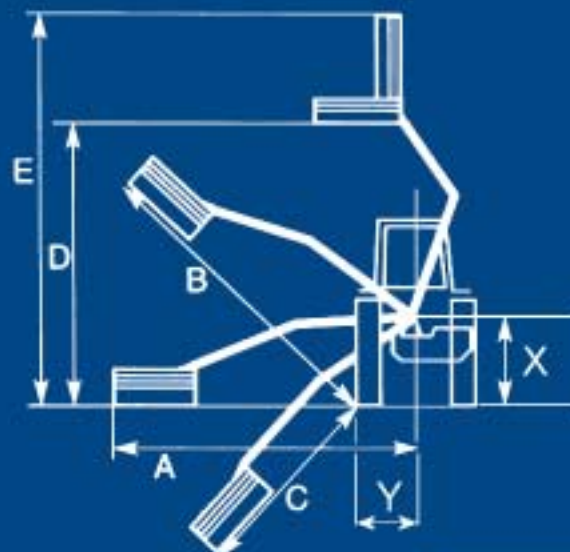


Falcon Bi-way

Features

- ✓ 5m and 5.5m reach
- ✓ Bi-directional cutting
- ✓ Left or right cut (RH cut on rear mount)
- ✓ 250lit tank capacity

Falcon Bi-way is mounted on a reversible tractor for forward or reverse operation, cutting verge and hedge, this minimises stress and fatigue for the professional operator.



| | Falcon 5 Bi-way (16' 5") | Falcon 5.5 Bi-way (18') |
|---|--------------------------|-------------------------|
| A | 5.0m 16' 5" | 5.5m 18' |
| B | 5.1m 16' 9" | 5.6m 18' 4" |
| C | 3.4m 11' 2" | 3.8m 12' 10" |
| D | 4.6m 15' 1" | 5.15m 16' 9" |
| E | 6.25m 20' 5" | 6.8m 22' 4" |
| X | 1.35m 4' 7" | 1.35m 4' 7" |
| Y | 1m 3' 4" | 1m 3' 4" |

Working reach dimensions
Head used for calcs: 1.2m Pro-Cut

| | Falcon 5 Bi-way (16' 5") | Falcon 5.5 Bi-way (18') |
|---|--------------------------|-------------------------|
| Tractor requirements | | |
| Minimum horse power | 70hp | 75hp |
| Minimum weight | 3000kg | 3500kg |
| Base unit mounting options | | |
| Front mount | ✗ | ✗ |
| Mid-mount | ✗ | ✗ |
| Rear mount | • | • |
| Three point linkage (CAT II) | o | o |
| Axle bracket | o | o |
| Overall machine parameters | | |
| Weight of machine without oil or head | 1350kg | 1350kg |
| Capacity of oil tank | 250Litres | 250Litres |
| Weight of machine with oil but without head | 1550kg | 1550kg |
| Hydraulic controls | | |
| Cable control (CC) | o | o |
| Electronic proportional control (EPP) | o | o |
| Intelligent control system (ICS) | o | o |
| Low pressure hydraulics (LPH) | ✗ | ✗ |
| Cable rotor reverse | o | o |
| Electronic rotor reverse | o | o |

• = Standard
o = Optional
✗ = Not available



ICS



| | Falcon 5 Bi-way (16' 5") | Falcon 5.5 Bi-way (18') |
|-------------------------------------|--------------------------------|-------------------------------|
| Hydraulic system | | |
| System capability | 65/110hp | 65/110hp |
| Pump flow rate | 125Litres | 125Litres |
| Pump type (Gear / Piston / Helical) | GP | GP |
| Pump arrangement (Twin / In-line) | T | T |
| Independent hydraulics | • | • |
| Oil cooler | • | • |

| | Falcon 5 Bi-way (16' 5") | Falcon 5.5 Bi-way (18') |
|------------------------------------|--------------------------------|-------------------------------|
| Arm features and main frame | | |
| Forward arm | • | • |
| Telescopic arm | ✗ | ✗ |
| Telescopic arm stroke | ✗ | ✗ |
| Power slow | • | • |
| Power slow angle | 94° | 94° |
| Gravity breakout | ✗ | ✗ |
| Hydraulic breakout | • | • |
| Amfloat - manual | • | • |
| Amfloat - electronic | • | • |
| Headfloat - manual | • | • |
| Headfloat - electronic | • | • |
| Left hand cutting | • | • |
| Right hand cutting | • | • |
| Left & right hand cutting | • | • |

| | Falcon 5 Bi-way (16' 5") | Falcon 5.5 Bi-way (18') |
|----------------------------------|--------------------------------|-------------------------------|
| Arm attachments available | | |
| Variable track bracket (VTB) | ✗ | ✗ |
| Cutter bar | • | • |
| Bladed saw head (Blade Runner) | • | • |
| Ditch cleaner | • | • |
| Rotary head | ✗ | ✗ |

| | Falcon 5 Bi-way (16' 5") | Falcon 5.5 Bi-way (18') |
|----------------------------------|--------------------------------|-------------------------------|
| Accessories | | |
| Road lights | • | • |
| Debris blower | • | • |
| Warning arrow (Magnetic / Fixed) | • | • |
| Cab guard kit | • | • |

| | Falcon 5 Bi-way (16' 5") | Falcon 5.5 Bi-way (18') |
|----------------------------------|--------------------------------|-------------------------------|
| Cutting heads permitted | | |
| 1.2m Pro-Cut 115mm roller | • | • |
| 1.2m Pro-Cut with 150mm roller | • | • |
| 1.2m head ISMP with 115mm roller | • | • |
| 1.2m head ISMP 150mm roller | • | • |
| 1.5m Pro-Cut with 115mm roller | • | • |
| 1.5m Pro-Cut with 150mm roller | • | • |
| 1.5m head ISMP 115mm roller | • | • |
| 1.5m head ISMP 150mm roller | • | • |

| | MP44 | HS40 | T60 | T40 | Pro Flails | BB | Bushmaster |
|--------|------|------|-----|-----|------------|----|------------|
| Flails | • | • | • | • | • | • | ✗ |
| Flails | • | • | • | • | • | • | ✗ |
| Flails | • | • | • | • | • | • | • |
| Flails | • | • | • | • | • | • | • |
| Flails | • | • | • | • | • | • | ✗ |
| Flails | • | • | • | • | • | • | ✗ |
| Flails | • | • | • | • | • | • | ✗ |
| Flails | • | • | • | • | • | • | ✗ |



Falcon Collector

Features

- ✓ Collects mulch and litter
- ✓ Unique through put PTO
- ✓ Encourages wild flower growth on verges
- ✓ Compacts collected debris
- ✓ Reduces water pollution and delays regrowth

The Falcon collector is a direct result of a government funded commission to produce a machine that would collect grass mulch and debris from roadsides to promote the growth of wild flowers.



| | Falcon Collector 5.5 (18') | Falcon Collector 6.0 (19' 8") |
|---|----------------------------|-------------------------------|
| A | 5.0m 16' 5" | 6.65m 21' 10" |
| C | 3.8m 12' 10" | 4.76m 15' 7" |
| X | 1.35m 4' 7" | 1.35m 4' 7" |
| Y | 1m 3' 4" | 1m 3' 4" |

Working reach dimensions
Head used for calcs: 1.2m Pro-Out

| | Falcon Collector 5.5 (18') | Falcon Collector 6.0 (19' 8") |
|---|----------------------------|-------------------------------|
| Tractor requirements | | |
| Minimum horse power | 100hp | 110hp |
| Minimum weight | 3000kg | 3300kg |
| Base unit mounting options | | |
| Front mount | ✗ | ✗ |
| Mid-mount | ✗ | ✗ |
| Rear mount | • | • |
| Three point linkage (CAT II) | ✗ | ✗ |
| Axle bracket | • | • |
| Overall machine parameters | | |
| Weight of machine without oil or head | 1515kg | 1615kg |
| Capacity of oil tank | 250litres | 250litres |
| Weight of machine with oil but without head | 1715kg | 1815kg |
| Hydraulic controls | | |
| Cable control (CC) | ○ | ○ |
| Electronic proportional control (EPP) | ○ | ○ |
| Intelligent control system (ICS) | ○ | ○ |
| Low pressure hydraulics (LPH) | ✗ | ✗ |
| Cable rotor reverse | ○ | ○ |
| Electronic rotor reverse | ○ | ○ |

• = Standard
○ = Optional
✗ = Not available



| | Falcon Collector 5.5 (18') | Falcon Collector 6.0 (19' 8") |
|--------------------------------------|----------------------------|-------------------------------|
| Hydraulic system | | |
| System capability | 65hp | 65hp |
| Pump flow rate | 125Litres | 125Litres |
| Pump type (Gear / Piston / Helical) | G | G |
| Pump arrangement (Twin / In-Line) | T | T |
| Independent hydraulics | • | • |
| Oil cooler | o | o |
| Arm features and main frame | | |
| Forward arm | x | x |
| Forward arm reach (Fixed / Variable) | x | x |
| Telescopic arm | x | x |
| Telescopic arm stroke | x | x |
| Power slew | • | • |
| Power slew angle | 94° | 94° |
| Gravity breakout | x | x |
| Hydraulic breakout | • | • |
| Armfloat - manual | o | o |
| Armfloat - electronic | o | o |
| Headfloat - manual | • | • |
| Headfloat - electronic | o | o |
| Left hand cutting | o | o |
| Right hand cutting | o | o |
| Left & right hand cutting | x | x |
| Arm attachments available | | |
| Variable track bracket (VTB) | x | x |
| Cutter bar | o | o |
| Bladed saw head (Blade Runner) | o | o |
| Ditch cleaner | o | o |
| Rotary head | o | o |
| Accessories | | |
| Road lights | o | o |
| Debris blower | o | o |
| Warning arrow (Magnetic / Fixed) | o | o |
| Cab guard kit | • | • |
| Cutting heads permitted | | |
| 1.2m Pro-Cut auger head 115mm roller | • | • |

| | MP44 | HS40 | T60 | T40 | Pro Flails | BB | Bushmaster |
|--------|------|------|-----|-----|------------|----|------------|
| Flails | o | o | o | o | o | o | x |